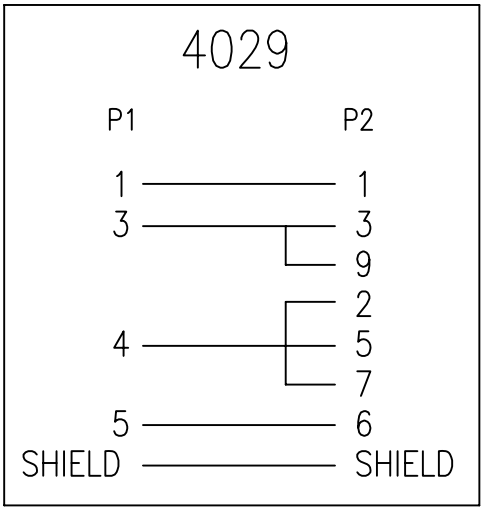
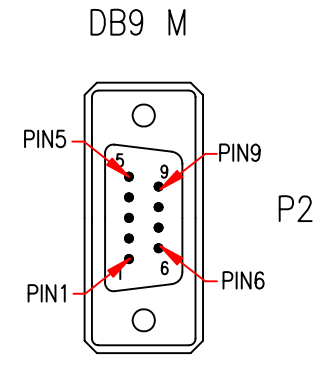
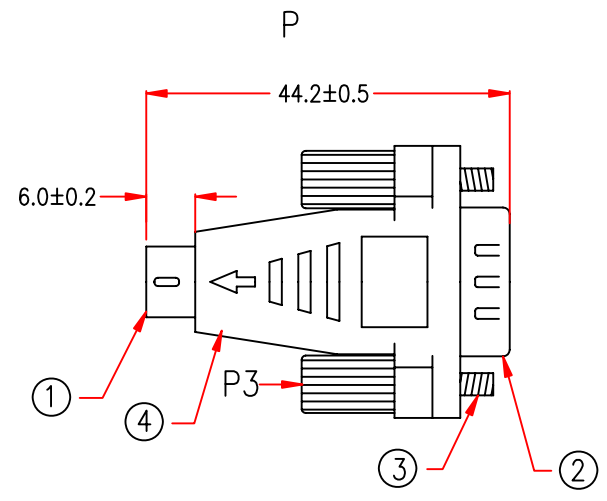
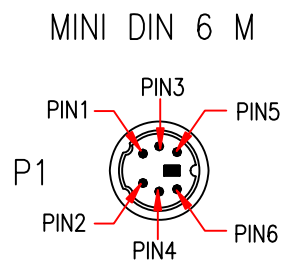


P:	M-Y407A
	M-407A
P3:	M-427B

Customer No.:



⚠ NOTE: All relevant materials are complied with RoHS directive .

4	UL1061 26AWG INSULATOR, LENGTH 28mm 7pcs AND 35mm1pcs	H5SE06-0304	8	M304
	MOLDED PE COLOR TRANSPARENT	A5BA02-0280		M280
	MOLDED PVC BEIGE	H1BF01-0304B01		M304
3	MOLDED THUMBSCREW #4-40, LENGTH 21.5mm,BEIGE	A6AA09-0095	2	M95
2	DB9 MALE, GOLD FLASH ON CONTACTS, BLUE INSULATOR	A1AA17-0108	1	M108
1	MINI DIN 6 MALE, BLACK INSULATOR, SHORT BODY	A1EE11-0108	1	M108
No.	DESCRIPTION		Q'TY	Supplier

APPROVED		PCCABLES.COM INC	Cable Length Unless Other Spec. Tolerances: 0 ~200mm ±10mm 201~1000mm ±20mm 1001 ~1500mm ±25mm 1501~2100mm ±30mm 2100mm↑ ±40mm
CHECKED	HU		
DRAWING	LIU		

⚠ REV.2 2016.10.19

MODIFY "NOTE"

⚠ REV.1 2001.06.27

CHECKED

DATE	19/OCT/16	ITEM NO.	00360	UNIT:mm	
------	-----------	----------	-------	---------	--